



Headteacher: Mrs J A Pike BEd (Hons) NPQH

t: 01474 567359

e: office@shearsgreen-jun.kent.sch.uk

w: www.shearsgreen-jun.kent.sch.uk

28th January 2019

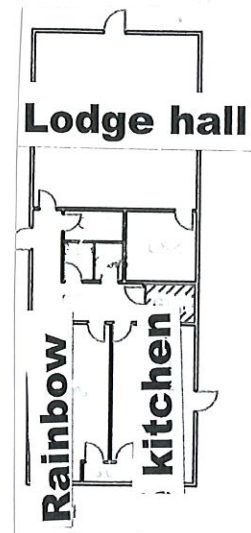
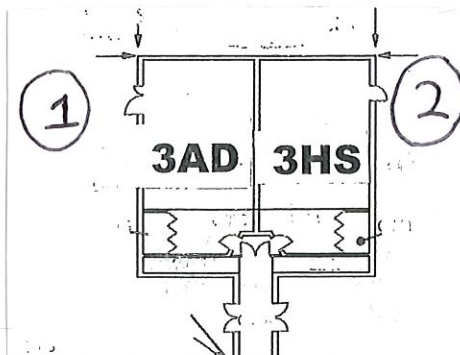
Dear Parents and Carers,

To ease dismissal of your children in the case of an emergency closure during the school day, ie bad weather, we have changed the collection points. They will be as follows:

3AD will be dismissed from their rear classroom door marked Exit 1.

3HS will be dismissed from their rear classroom door marked Exit 2.

Playground



Children will be kept in class until collected. Each sibling will need to be collected from their own class. If an adult, unknown to staff, collects your child(ren) they will need a note from you or, the teacher will need a brief telephone conversation with you, before the child is released. If you are unsure where to go please be assured that senior members of staff will be outside to assist.

Yours faithfully,

Mrs. J. Pike
Head Teacher



Headteacher: Mrs J A Pike BEd (Hons) NPQH

t: 01474 567359

e: office@shearsgreen-jun.kent.sch.uk

w: www.shearsgreen-jun.kent.sch.uk

28th January 2019

Dear Parents and Carers,

To ease dismissal of your children in the case of an emergency closure during the school day, ie bad weather, we have changed the collection points. They will be as follows:

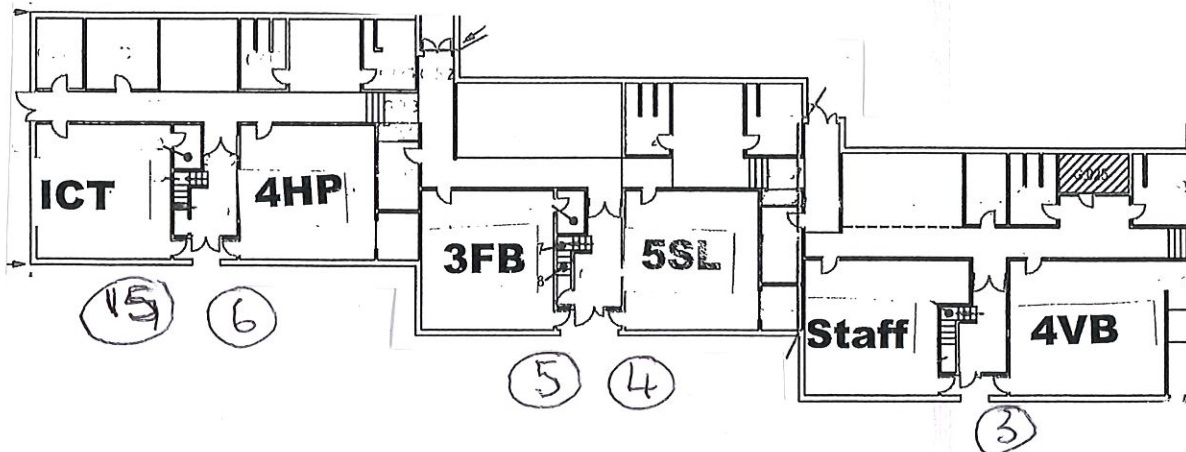
4VB will be dismissed from their rear classroom door marked Exit 3.

5SL will be dismissed from their rear classroom door marked Exit 4.

3FB will be dismissed from their rear classroom door marked Exit 5.

4HP will be dismissed from their rear classroom door marked Exit 6.

5KN will be dismissed from the ICT rear door marked Exit 15



White Avenue

Children will be kept in class until collected. Each sibling will need to be collected from their own class. If an adult, unknown to staff, collects your child(ren) they will need a note from you or, the teacher will need a brief telephone conversation with you, before the child is released. If you are unsure where to go please be assured that senior members of staff will be outside to assist.

Yours faithfully,

Mrs. J. Pike
Head Teacher



Headteacher: Mrs J A Pike BEd (Hons) NPQH

t: 01474 567359

e: office@shearsgreen-jun.kent.sch.uk

w: www.shearsgreen-jun.kent.sch.uk

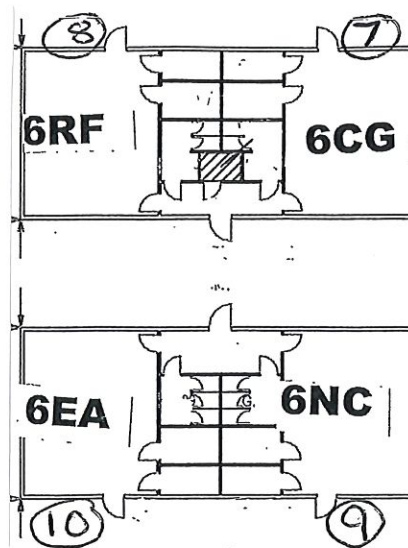
28th January 2019

Dear Parents and Carers,

To ease dismissal of your children in the case of an emergency closure during the school day, ie bad weather, we have changed the collection points. They will be as follows:

- 6CG will be dismissed from their rear classroom door marked Exit 7.
- 6RF will be dismissed from their rear classroom door marked Exit 8.
- 6NC will be dismissed from their rear classroom door marked Exit 9.
- 6EA will be dismissed from their rear classroom door marked Exit 10.

Pond Area



White Avenue

Children will be kept in class until collected. Each sibling will need to be collected from their own class. If an adult, unknown to staff, collects your child(ren) they will need a note from you or, the teacher will need a brief telephone conversation with you, before the child is released. If you are unsure where to go please be assured that senior members of staff will be outside to assist.

Yours faithfully

Mrs. J. Pike

Head Teacher



Shears Green Junior School
White Avenue
Northfleet
Kent DA11 7JB



Headteacher: Mrs J A Pike BEd (Hons) NPQH

t: 01474 567359

e: office@shearsgreen-jun.kent.sch.uk

w: www.shearsgreen-jun.kent.sch.uk

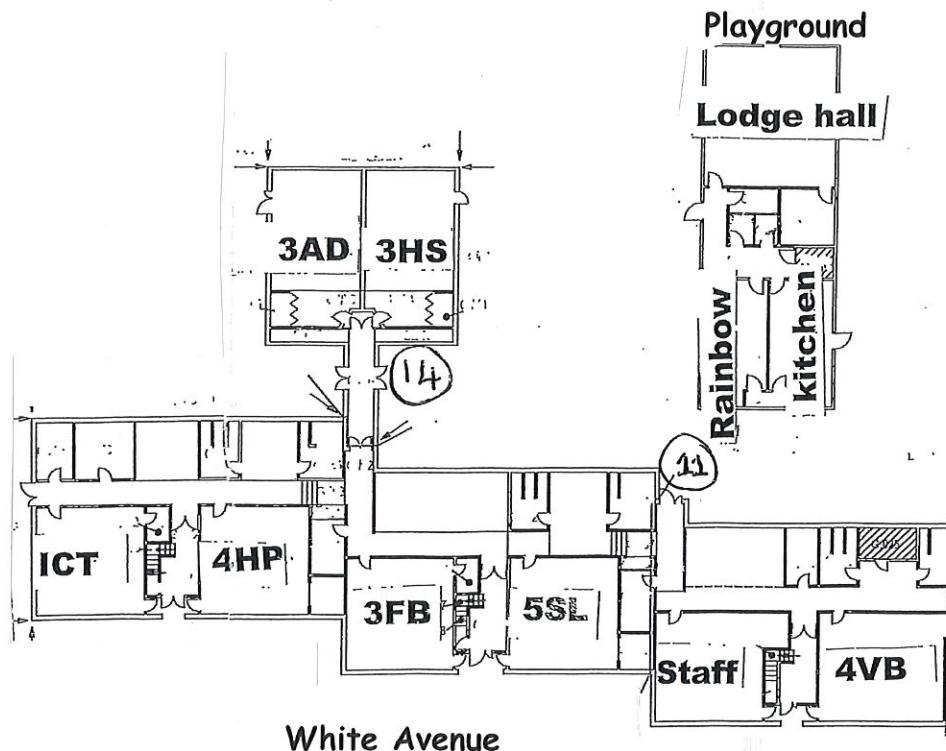
28th January 2019

Dear Parents and Carers,

To ease dismissal of your children in the case of an emergency closure during the school day, ie bad weather, we have changed the collection points. They will be as follows:

4LCB will be dismissed from the main playground door marked 11.

5YW will be dismissed from the year 3 door marked 14.



Children will be kept in class until collected. Each sibling will need to be collected from their own class. If an adult, unknown to staff, collects your child(ren) they will need a note from you or, the teacher will need a brief telephone conversation with you, before the child is released. If you are unsure where to go please be assured that senior members of staff will be outside to assist.

Yours faithfully,

Mrs. J. Pike
Head Teacher



Shears Green Junior School
White Avenue
Northfleet
Kent DA11 7JB



Headteacher: Mrs J A Pike BEd (Hons) NPQH

t: 01474 567359

e: office@shearsgreen-jun.kent.sch.uk

w: www.shearsgreen-jun.kent.sch.uk

28th January 2019

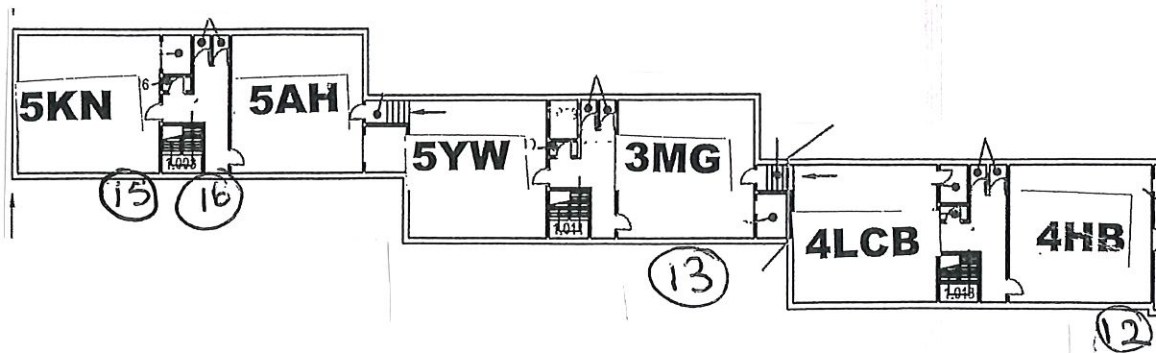
Dear Parents and Carers,

To ease dismissal of your children in the case of an emergency closure during the school day, ie bad weather, we have changed the collection points. They will be as follows:

4HB will be dismissed from the down stairs rear exit door marked 12.

3MG will be dismissed from the down stairs rear exit door marked 13.

5AH will be dismissed from the down stairs rear exit door marked 16.



White Avenue

Children will be kept in class until collected. Each sibling will need to be collected from their own class. If an adult, unknown to staff, collects your child(ren) they will need a note from you or, the teacher will need a brief telephone conversation with you, before the child is released. If you are unsure where to go please be assured that senior members of staff will be outside to assist.

Yours faithfully,

Mrs. J. Pike
Head Teacher